

Fee: 1 year \$15.00

3 years \$40.00

Mail form and check payable to NC-PHRF to Club representative \*

# RATING REQUEST FORM

**VALID THRU**



For Handicapper's Use Only

SAIL NO.		BOAT MAKE		YR	CLUB	RATING ADJUSTMENTS	STD. OR BASE RATING _____
BOAT MODEL		RIG		DESIGNER			
MASTER OR OWNER						SPIN OR POLE	
ADDRESS						MAST	
CITY			STATE	ZIP		PROP	
HOME PHONE			ALT. PHONE			MISC	
E-MAIL ADDRESS						RACING RATING _____	

I understand that it is my responsibility to notify the handicapper of changes to this yacht—which affect measurement points, handicap adjustments, or would alter her from a standard boat.

HANDICAPPER'S COMMENTS:

SIGNATURE OF MASTER OR OWNER \_\_\_\_\_ DATE \_\_\_\_\_

YACHT NAME – \_\_\_\_\_

SIGNATURE OF HANDICAPPER \_\_\_\_\_ DATE \_\_\_\_\_

**MEASUREMENTS**

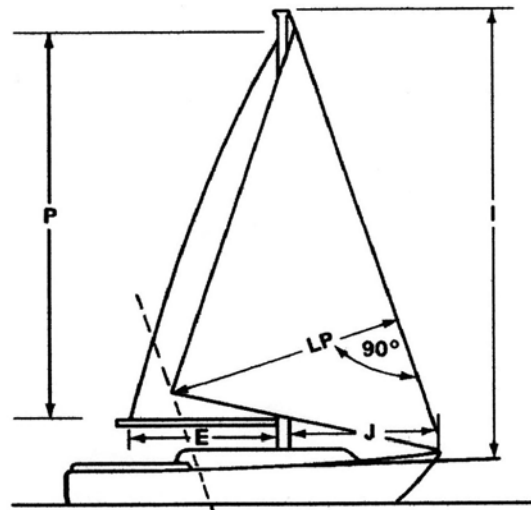
J		LOA	
LP		LWL	
SPL		BEAM	
G		DRAFT	
I		DISPL lbs	
P		BAL lbs	
E		MATERIAL	

**MAINSAIL GIRTH \*\***

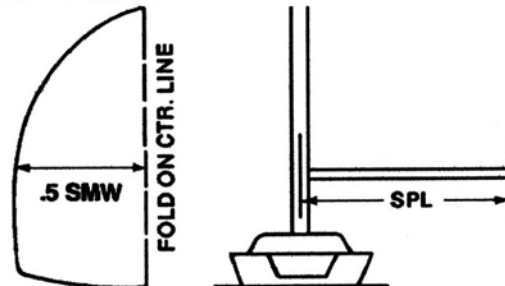
7/8 LEECH		1/2 LEECH	
3/4 LEECH		1/4 LEECH	

**VARIABLES**

<b>ENG</b>	<b>PROP INSTAL</b>	<b>RIG</b>
INBOARD <input type="checkbox"/>	IN APERTURE <input type="checkbox"/>	MASTHEAD <input type="checkbox"/>
OUTBOARD <input type="checkbox"/>	EXPOSED SHAFT <input type="checkbox"/>	FRACTIONAL <input type="checkbox"/>
NONE <input type="checkbox"/>	SAIL DRIVE <input type="checkbox"/>	OTHER <input type="checkbox"/>
<b>RUDDER</b>	<b>PROP TYPE</b>	<b>KEEL</b>
ATTACHED <input type="checkbox"/>	FOLDING <input type="checkbox"/>	FIN <input type="checkbox"/>
SKEG <input type="checkbox"/>	FEATHERING <input type="checkbox"/>	FULL <input type="checkbox"/>
SPADE <input type="checkbox"/>	SOLID 2-BL <input type="checkbox"/>	WING <input type="checkbox"/>
	SOLID 3-BL <input type="checkbox"/>	CTR BD <input type="checkbox"/>
		DROP <input type="checkbox"/>
<b>MAST</b>	<b>MODIFICATIONS</b>	OTHER <input type="checkbox"/>
STANDARD <input type="checkbox"/>	CLASS BOAT <input type="checkbox"/>	
TALL RIG <input type="checkbox"/>	MODIFIED CLASS <input type="checkbox"/>	
OTHER <input type="checkbox"/>	CUSTOM <input type="checkbox"/>	



**SPIN. GIRTH MEAS.**



\* Closest NC-PHRF officer—to be found on [www.ncphrf.com](http://www.ncphrf.com)

\*\* Required for large roach mainsails